



## Technical data

# Carbon non-crimp fabric 100 g/m<sup>2</sup> biaxial

### Fabric construction

Fibre type: Carbon  
Construction: -45°/+45°  
Fabric weight: 103 gsm +/- 5%

### Stitching fibre

Stitching thread: Textured polyester black  
Stitch DTex: 33  
Stitch gauge: 5.0 gg  
Stitch length: 2 mm  
Stitch type: Pillar  
Stitch weight: 3 gms

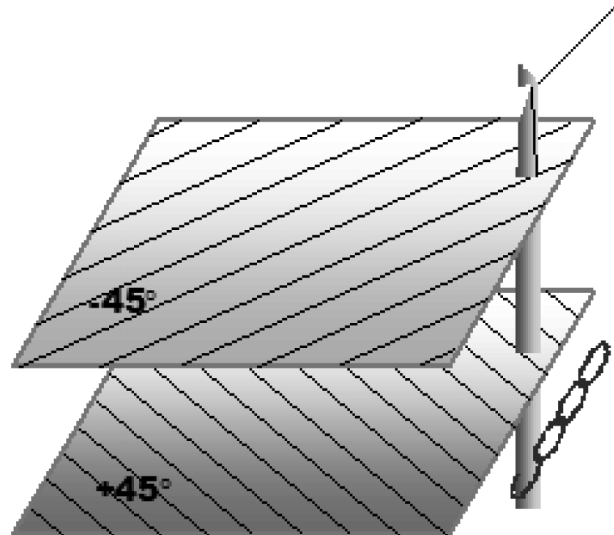
### Ply construction

#### -45° ply

Fibre specification: Carbon  
Fibre tex: 800 tex  
Gauge: 1.125 gg  
Ply weight: 50 gsm

#### +45° ply

Fibre specification: Carbon  
Fibre tex: 800 tex  
Gauge: 1.125 gg  
Ply weight: 50 gsm



All information, recommendations, and advice on the part of R&G Faserverbundwerkstoffe GmbH are published to the best of our knowledge and belief. They are noncommittal and contain neither explicit nor tacit assurance or warranty of particular properties. The values specified for properties are typical figures. Recommendations or advice serve to describe our products and possible applications in a general or exemplary, but not specifically individual manner. In the course of the constant technical advancement and improvement of our products there may be changes to the characteristic values, copy, and diagrams; no specific reference is made to any such change. Owing to our products' wide and highly diverse range of potential applications far beyond any of our attempts to analyse, the customer alone is responsible for examining our products' suitability for the respective processes and purposes and their respective processibility. All and any protective rights and the applicable laws, terms, and conditions must be observed by the buyer or user of our products at their own responsibility. Publication is not a licence and does not intend the violation of any patents. Poxysystems® is a registered trademark of R&G.